

**Communication Module**

Belimo communication modules feature audible and visual alarms and CAN bus communication, allowing for standalone operation and networking of up to 32 devices. Select models feature relays and analog outputs to control ventilation directly, as well as BACnet MS/TP allowing for integration into a BMS. All communication modules are wired via a daisy chain and are backed by a five-year warranty. Communication modules and relay units are available for applications that require control from centralized locations.



5-year warranty


**Type Overview**

Type	Measured values	Number of relays	Number of analog outputs	Communication
C-22G-5A	-	1	2	CAN bus, BACnet MS/TP
C-22G-5B	-	2	0	CAN bus, BACnet MS/TP
C-22G-5C	-	0	0	CAN bus

**Technical data**

<b>Electrical Data</b>	Nominal voltage	AC 24 V
	Nominal voltage note	Please see the remarks section for nominal voltage details and nominal voltage range.
	Nominal voltage frequency	50/60 Hz
	Power consumption AC	5 VA
	Cable entry	2 top, 2 bottom, 1 rear – 1/2" EMT
	Cable specification	Power cable: 18...20 AWG Communication cable: 22...24 AWG twisted pair, shielded jacketed, low capacitance Please see the remarks section for more information about cable size and polarity.
	Fuse	Thermal PTC, auto-reset
<b>Data bus communication</b>	Communication	CAN bus BACnet MS/TP
<b>Functional Data</b>	Application	Air
	Output signal active note	Analog outputs: 2...10 V or 4...20 mA, user selectable with jumper
	Output signal relay note	Relays: SPDT, 5A @ AC 125 V, non-inductive Please see Remarks section for relay rating.
	Max. altitude	6562 ft [2000 m] above sea level
	Display	LCD with backlight showing gas type, gas concentration, alarm level status

**Technical data**

<b>Functional Data</b>	Alarm	Alarm level 1: Visual alarm (red LED) Alarm level 2: Visual alarm (red LED) Alarm level 3: Visual and audible alarm (flashing white strobe LED and horn) Horn: 80 dB @ 1 m [3.3ft]
	<hr/>	
<b>Specification Temperature</b>	Measuring range	-20...40°C [-4...104°F] Please see the remarks section for the application notice for temperature sensor
	Accuracy temperature passive	±7°C @ 23.5°C [13°F @ 74°F] Please see the Remarks section under Application Notice for more information about temperature accuracy
	<hr/>	
<b>Safety Data</b>	Degree of protection IEC/EN	IP44
	Degree of protection NEMA/UL	NEMA 2
	Agency Listing	cCSAus listed to C22.2 No. 61010-1-12, UL Std. No. 61010-1 (3rd Edition), harmonized under IEC/EN 61010-1 BTL listed No. BTL-30001
	Pollution degree	2
	Ambient humidity	15...90% RH continuous, 0...99% RH intermittent, non-condensing
	Ambient temperature	-20...40°C [-4...104°F]
	<hr/>	
<b>Materials</b>	Housing	UL94 5VA

**Remarks**

<b>Nominal voltage details</b>	All Belimo gas monitors, communication modules, and relay units can be powered by AC/DC 24 V. Under CSA/UL 61010-1 all gas monitors and communication modules are rated to AC 24 V only. Under ULC-S588 and UL 2075, all vehicle emissions gas monitors (CO, NO <sub>2</sub> , CO + NO <sub>2</sub> ) are rated to AC/DC 24 V.
<b>Nominal voltage range</b>	All Belimo gas monitors, communication modules, and relay units have a nominal voltage range of AC 17...28/DC 21...38 V (not UL or CSA-tested), AC/DC 20.4...26.4 V (UL-tested).
<b>Power cable size and polarity</b>	Terminal blocks can accommodate one 14...20 AWG wire, or two 18...20 AWG wires in the same terminal. Please take cable and transformer size into account to provide adequate voltage. Maintain the same polarity between devices at full power (AC/DC 24 V).
<b>Communication cable size and polarity</b>	CAN bus and BACnet MS/TP communication cables should be 22...24 AWG, twisted-pair, shield-jacketed, low-capacitance. Please consider the CAN bus baud rate (programmable setting No. 68) and BACnet the MS/TP baud rate (programmable setting No. 48) to provide working communications. For all communication wiring, maintain the same polarity and baud rate between all devices on the network.
<b>Relay rating</b>	All relays used in Belimo gas monitors, communication modules, and relay units are rated for: SPDT, 5 A @ AC 125 V, non-inductive (UL/CSA tested), and SPDT, 4 A @ DC 24 V, non-inductive (not UL/CSA tested).

Remarks

**Application notice for temperature sensor**

All Belimo gas monitors and communication modules come with an internal temperature sensor. The purpose of this temperature sensor is to protect an enclosed parking garage from overheating or freezing, by activating relay 1. When using this feature, it is recommended to calibrate the temperature sensor to the ambient temperature (programmable setting No. 50), after the gas monitor has been powered for 24 hours. For freeze protection, it is recommended to set the temperature set point (programmable settings No. 55) at or over 40 °F [4°C].

Please note that this temperature sensor is located on the gas monitor printed circuit board (PCB). Therefore, it needs to be calibrated after 24 hours of normal operation to offset the heat generated by the PCB. It is not intended to be used as a room temperature sensor because of the limited accuracy and slow response time caused by its location on the PCB. This temperature sensor accuracy of ±13°F @ 74°F [7°C @ 23.5°C] has not been certified by UL.

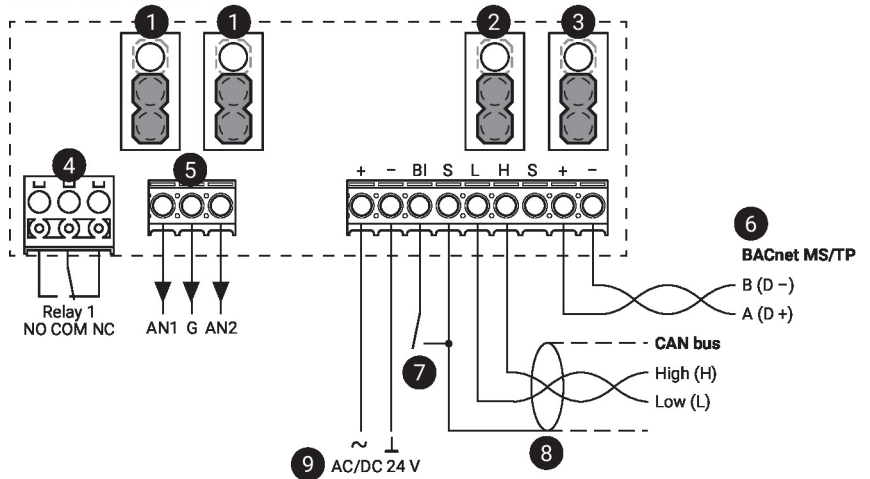
Accessories

Electrical accessories	Description	Type
	Relay unit, CAN bus, 4 relays	C-22G-50
	External visual alarm	A-22G-A15
	External audible alarm	A-22G-A16
	Transformer, 50 VA	A-22G-A50
	Transformer, 100 VA	A-22G-A100
Mechanical accessories	Description	Type
	Splash proof enclosure	A-22G-A12
	Duct mount enclosure	A-22G-A13

Wiring Diagram

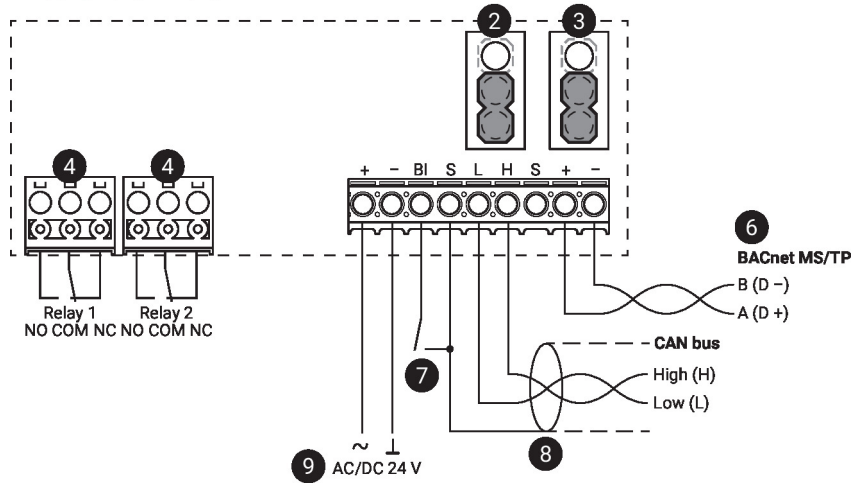
A Model Wiring

**22G..-5A / C-22G-5A**



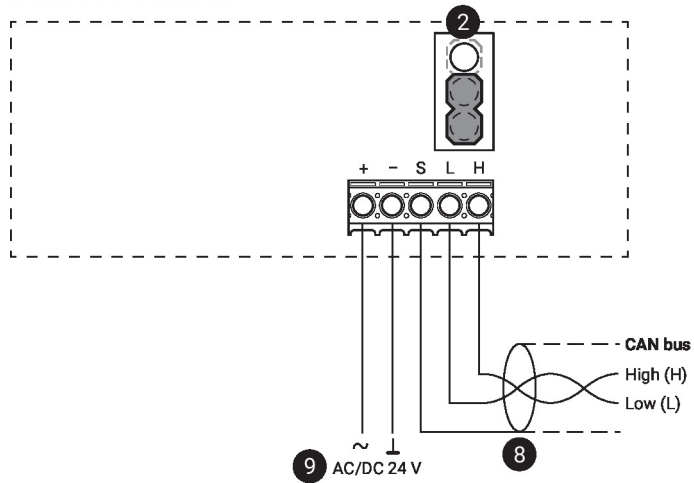
B Model Wiring

22G..-5B / C-22G-5B



C Model Wiring

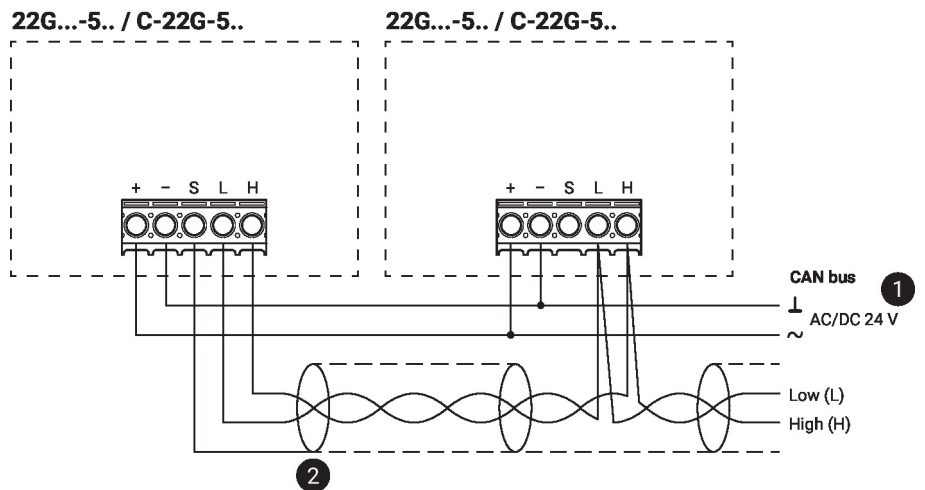
22G..-5C / C-22G-5C



- 1 Analog outputs**  
 Down position: 2....10 V (factory setting)  
 Up position: 4...20 mA
- 2 End of line (EOL) jumper: CAN bus**  
 Down position: Termination OFF (factory setting)  
 Up position: Termination ON (first and last unit only should have this jumper in the up position)
- 3 End of line (EOL) jumper: MS/TP**  
 Down position: Termination OFF (factory setting)  
 Up position: Termination ON (first and last unit only should have this jumper in the up position)
- 4 Relay output**
- 5 Analog output**
- 6 Shield connected at the first unit only, at others only looped through**
- 7 Binary input to limit switch**
- 8 Shield connected at the first unit only, at others only looped through**
- 9 No connection to the ground**

Wiring CAN bus

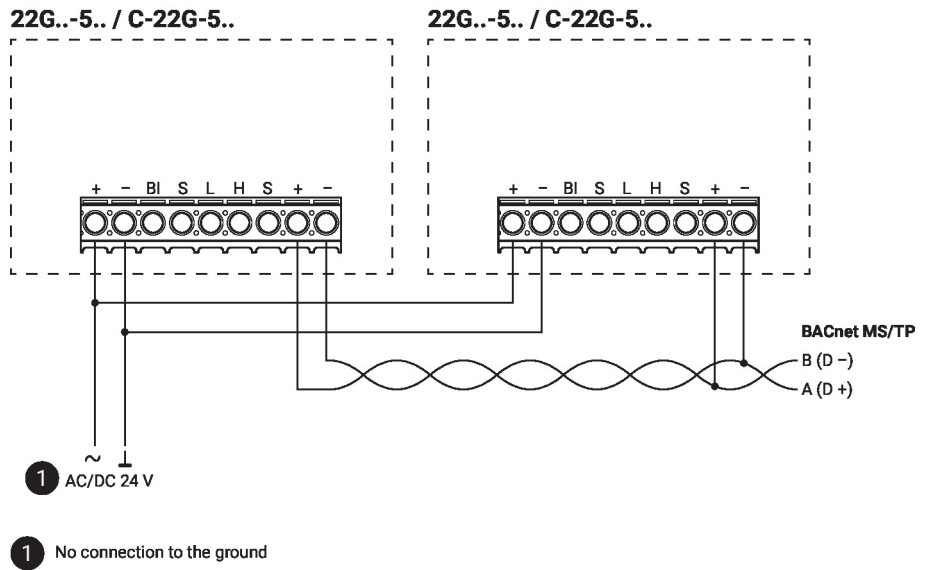
CAN bus Wiring



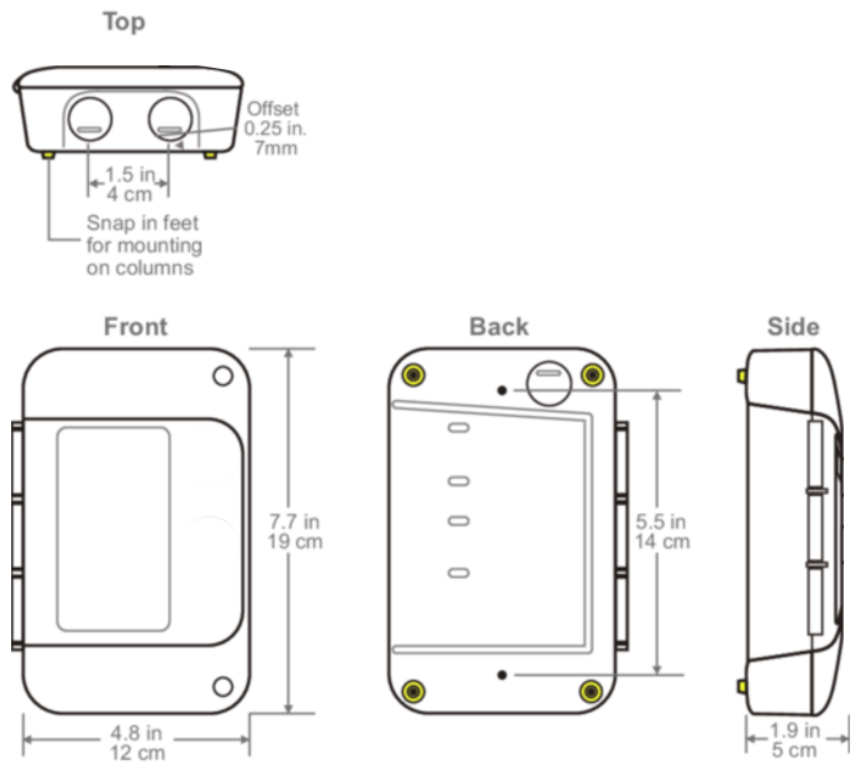
- 1** No connection to the ground
- 2** Shield connected at the first unit only, at others only looped through

Wiring Diagram

Wiring RS485 BACnet MS/TP BACnet MS/ TP Wiring



Dimensions



Type

- C-22G-5A
- C-22G-5B
- C-22G-5C

Weight

- 0.95 lb [0.43 kg]
- 0.95 lb [0.43 kg]
- 0.95 lb [0.43 kg]

**Further documentation**

- Installation instructions
- Operating instructions